


2015 Sundance Spas 880 Optima®

Specifications

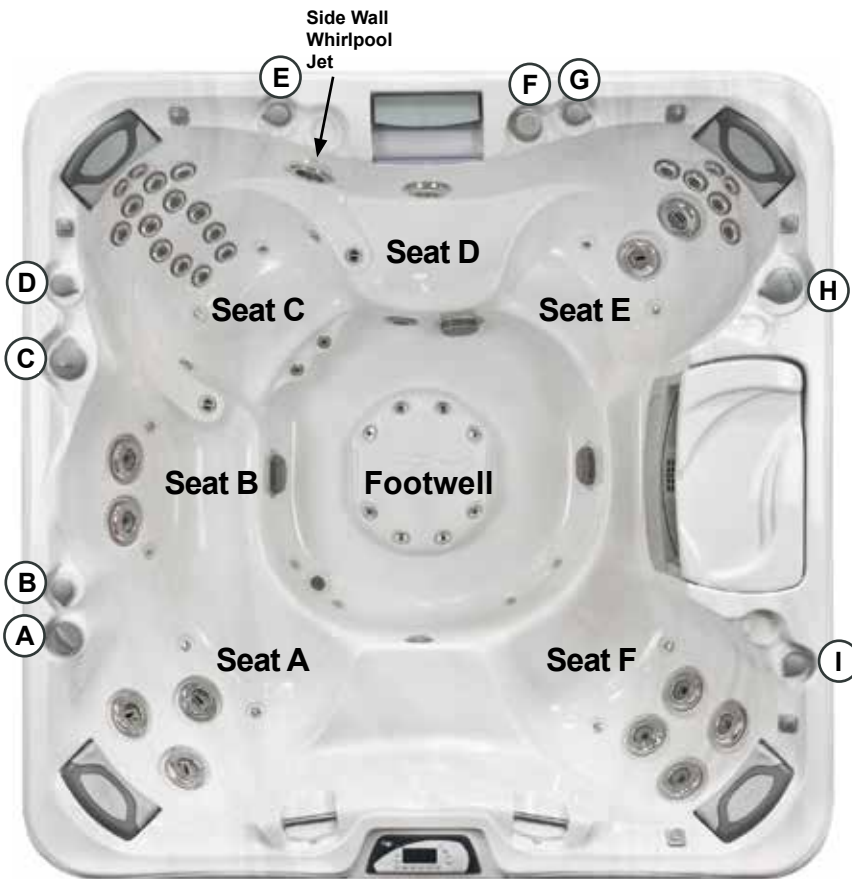
| | | |
|--|---|---|
| Dimensions: | 89" x 89" x 37.5" (226 cm x 226 cm x 95.25 cm) |  |
| Seating Capacity: | 6-7 Adults | |
| Dry Weight: | 924 lbs (419 kg) | |
| Filled Weight (Spa Volume): | 5,344 lbs (2,424 kg) | |
| Filled Weight (Average Fill): | 4,343 lbs (1,970 kg) | |
| Water Capacity (Spa Volume): | 530 US Gal (2,006 Liters) | |
| Water Capacity (Average Fill): | 410 US Gal (1,552 Liters) | |
| Controls: | 880 Series Solid State, LCD User Interface Displays Temperature, Time, Cycles and Fingertip Jet/Air System Control. Offers Customizing of Preprogrammed Filtration Cycles And Water Temperature Setting | |
| Water Delivery: | 2 TheraMax High-Flow Pumps and 8-Hour Dynamic Flow Circulation System | |
| Pump 1: | North America (60 Hz): 1-Speed/2.5 HP Continuous, 11.3A Max., 56 Frame Export (50 Hz): 1-Speed/2.0 HP Continuous, 7.0A Max. | |
| Pump 2: | North America (60 Hz): 1-Speed/2.5 HP Continuous, 11.3A Max., 56 Frame Export (50 Hz): 1-Speed/2.0 HP Continuous, 7.0A Max. | |
| Pump 3: | High Output Dynamic Flow, 8-Hour Filter/Circulation Pump (35 gpm); Programmable for Daily Start Time and Duration | |
| Total Hydrojets: | 47 | |
| Seat A Jets: | 3 Fluidix Intelli-Jet | |
| Seat B Jets: | 2 Vortex | |
| Seat C Jets: | 12 Fluidix ST, 2 Fluidix Nex, 1 Whirlpool (sidewall), 4 Accu-Pressure, 2 Pulsator | |
| Rear Wall Jet (D): | 1 Vortex | |
| Seat E Jets: | 2 Fluidix Intelli-Jet, 2 Fluidix Nex, 4 Fluidix ST | |
| Seat F Jets: | 4 Vortex | |
| Footwell Jets (G): | 8 Accu-Pressure | |
| Air Blower: | High-Efficiency, 1-Speed | |
| Aromatherapy Delivery: | 14 Air Injector Jets with Quiet High Speed Air Pump | |
| Air Controls/Massage Selectors: | 5/2 (Standard Air controls with LED light rings) | |
| Filter: | MICROCLEAN® Ultra Filtration System, 130 ft² (2 interlocking cartridge filters) | |
| Water Treatment: | Automatic Brominator and Dynamic Flow Circulation System; Factory installed CLEARRAY® Water Purification System | |
| Lighting: | AquaTerrace Multi-Colored Sunglow LED Lighting System (1 Waterfall, 1 Footwell, 5 Air controls, 2 Backlit handrails) | |
| Synthetic Cabinet: | Available in Coastal, Mahogany, Autumn Walnut | |
| Shell Colors (Portable Models): | North America(60 Hz)/ Export (50 Hz): Platinum, Sand, Sahara, Celestite, Oyster, Copper Sand, Monaco, Midnight, Caribbean Surf, Titanium | |
| Handrails: | Two High Quality Stainless Steel with backlit LED lighting | |
| ComfortTone Headrests: | Four 2-Part/2-Tone Gray | |
| Heater (Portable Models Only): | North America (60 Hz): Low Flow 5.5 kW with Titanium Element Export (50 Hz): Low Flow 2.7 kW with Titanium Element | |
| Electrical Requirements: | North America (60 Hz): 240 VAC@40A, 50A or 60A; Export (50 Hz): 230-240 VAC@20A, 30A or 40A; or Suitably Rated Circuit Breaker to Comply with Local Electrical Regulations. Certain Countries may Require 2 Power Inputs; Two GFCI/RCD Breakers are Required for This Configuration. | |
| Limited Warranty*: | North America (60 Hz): 10 Years Shell, 7 Years Shell Surface, 5 Years Plumbing Component Leaks, 5 Years Equipment and Controls, 5 Years Synthetic Cabinet, 5 Years Jets, 2 Years Lights, 1 Year Stereo Export (50 Hz): 10 Years Shell, 7 Years Shell Surface, 2 Years Plumbing Component Leaks, 2 Years Equipment and Controls, 2 Years Synthetic Cabinet, 2 Years Jets, 2 Years Lights, 2 Years Stereo | |
| Waterfall Feature: | Adjustable Flow Rate (Portable Models Only); Colored back-lighting | |
| Audio System (Optional): | Optional Factory Installed BLUEWAVE® Spa Stereo System with Wireless Remote Control, Auxiliary 3.5 mm headphone jack connection, USB connection, FM radio, Bluetooth compatible and integrated docking station | |
| Special Features: | Optional Factory Installed SunSmart™ WiFi module | |

*(See Warranty Document for Specific Details)

Dimensions/Specifications Subject To Change Without Notice

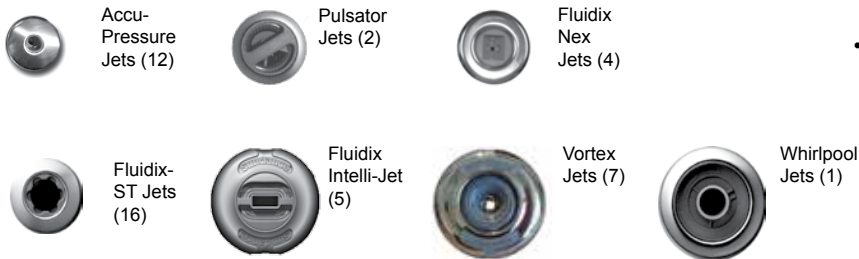
2015 Sundance Spas 880 Optima

Operation/Seat Depths



- (A) Scent Dispenser
- (B) Air Control - Activates Seat A Jets (3 Fluidix Intelli-Jet) + Seat B Jets (2 Vortex) + Side Wall Whirlpool Jet
- (C) Massage Selector [Pump 2] - Adjusts Massage Level Between Seat C Jets (except 4 Accu-Pressure) and Footwell Jets + Rear Wall Jet
- (D) Air Control - Activates Upper Eight Seat C Jets (2 Fluidix Nex, 6 Fluidix-ST)
- (E) Air Control - Activates Lower Twelve Seat C Jets (6 Fluidix-ST, 4 Accu-Pressure, 2 Pulsators)
- (F) Waterfall Selector [8-Hour Circ. Pump] - Controls Waterfall Output
- (G) Air Control - Activates Seat E Jets (2 Fluidix Nex, 4 Fluidix-ST, 2 Fluidix Intelli-Jet) + Seat F Jets (4 Vortex)
- (H) Massage Selector [Pump 1] - Adjusts Massage Level Between Seat A Jets + Side Wall Whirlpool and Seat E Jets + Seat F Jets
- (I) Air Control - Activates Seat D Rear Wall Jet (1 Vortex) + Footwell Jets (8 Accu-Pressure)

47 Total Jets



- Jets Pump 1: Seat B Jets are always on when this pump is running
- Jets Pump 2: The 4 Accu-Pressure Jets in the Seat C are always on when this pump is running

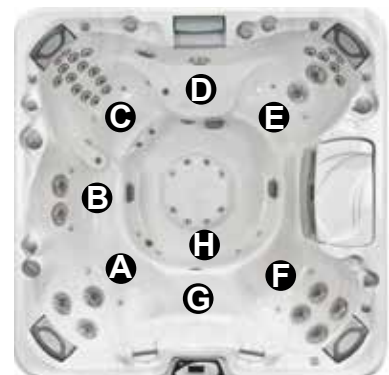
Spa Operation Subject To Change Without Notice

SEAT DEPTHS

A = 25.00" (63.50 cm)
B = 22.00" (55.88 cm)
C = 28.00" (71.12 cm)
D = 25.00" (63.50 cm)
E = 26.00" (66.04 cm)
F = 25.00" (63.50 cm)

G = 17.00" (43.18 cm)
H = 32.00" (81.28 cm)

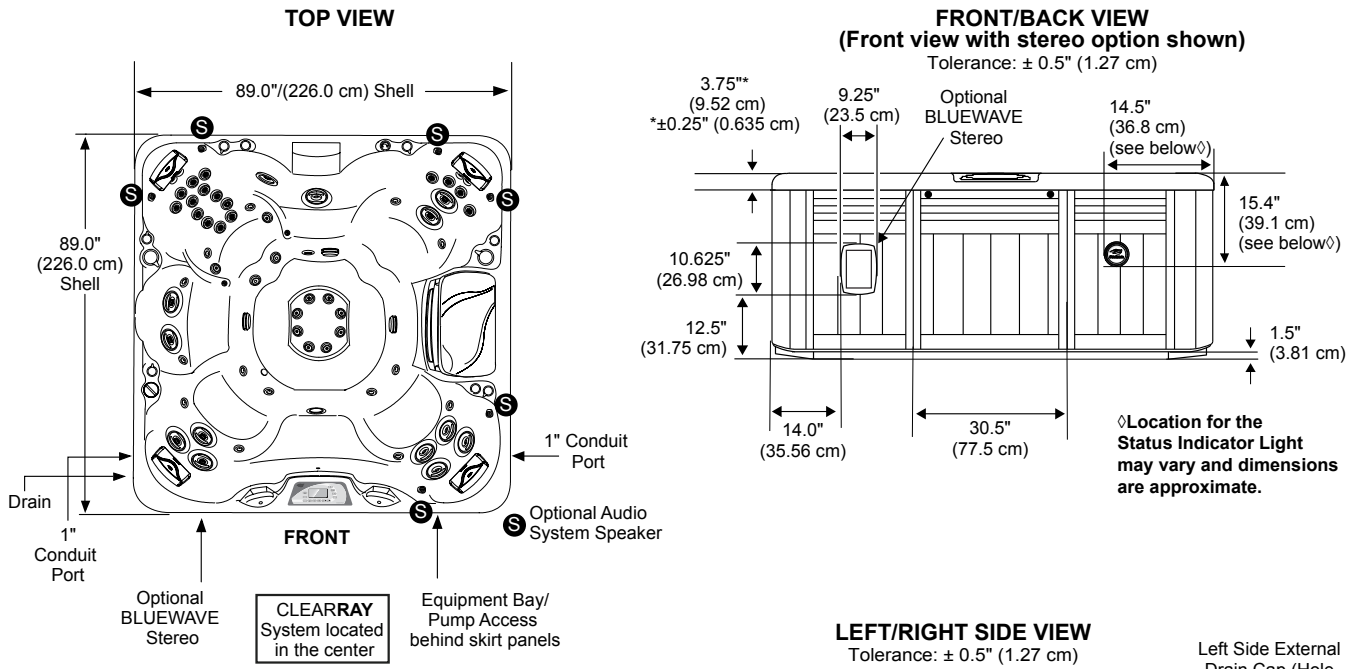
Listed dimensions represent distance from top of acrylic to lowest point in seat. **Tolerance ± 0.5" (1.27 cm).**



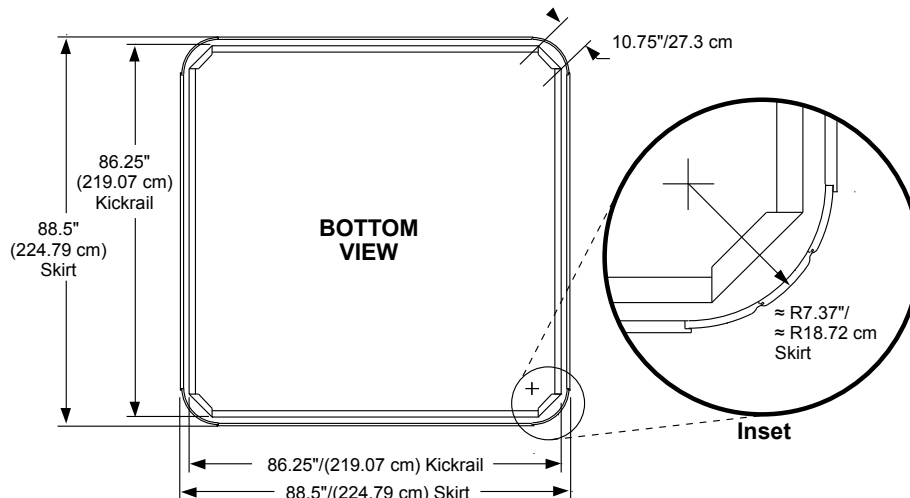
Dimensions/Specifications Subject To Change Without Notice

2015 Sundance Spas 880 Optima

Portable Dimensions



IMPORTANT! Always measure each hot tub for exact dimensions BEFORE designing its foundational support and/or decking.



Dimensions/specifications subject to change without notice. Tolerance: $\pm 0.5"$ (1.27 cm)

Dimensions/Specifications Subject To Change Without Notice